

Unit 1-2166 Notre Dame Avenue | Winnipeg, Manitoba, Canada | R3H0K2 | 800-342-3626 | 204-632-6941 | Fax 204-633-9254

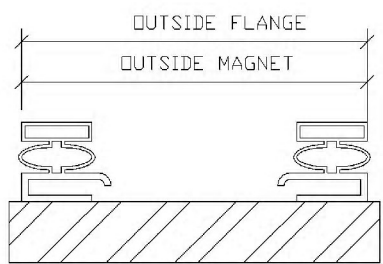
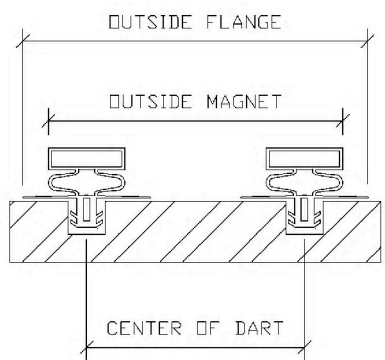
Date of Order _____ Date required ? _____ Your Purchase Order No. _____
 Company Name _____ Who to Contact ? _____
 Shipping Address _____ Phone Number _____
 Address _____ Ship with ? _____
 Address _____ Tag Job Name _____

Where did you take measurement from ?



Gasket Profile # (From reverse side)	Label gasket <small>*cabinet no. or location</small>	Width	Height	3 or 4 sided ?	Dart		Flange		Magnet		Quantity	Price Each \$	
					Center to Center of	Dart	Outside Edge of	Flange	Outside Edge of	Magnet			
					Center to	Center of	Outside	Edge of	Flange	Outside	Edge of		

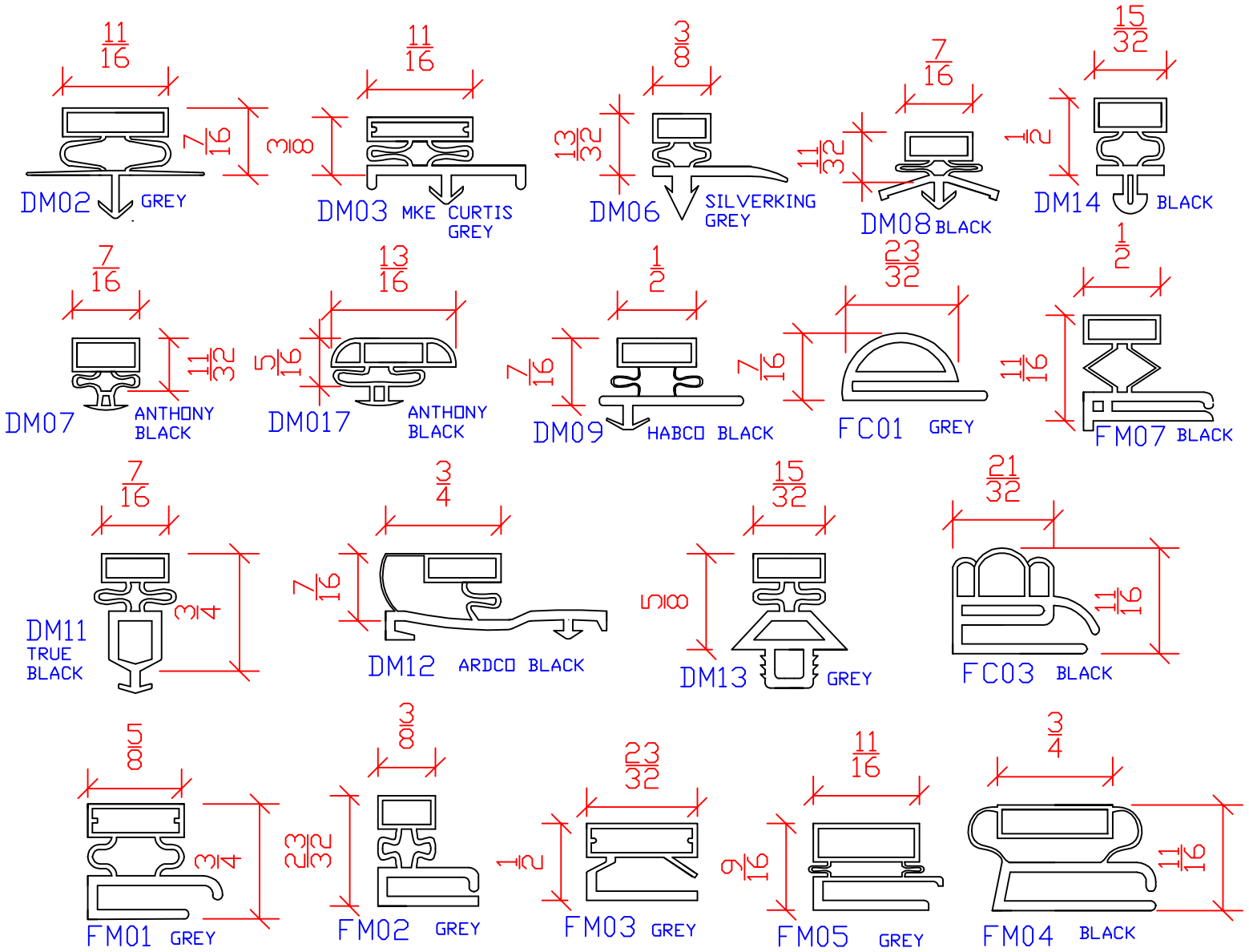
Any Specific Instructions we need to know ?



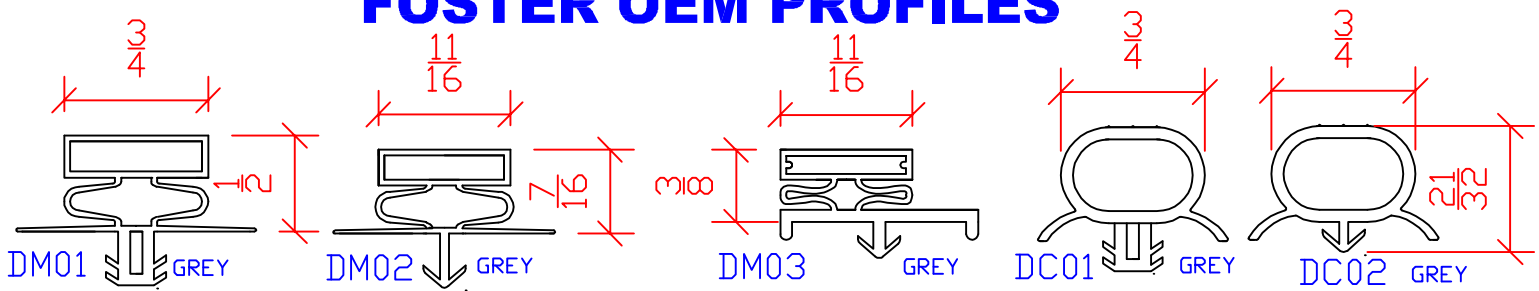
Where did you take measurement from?
 Center of dart ?
 Outside edge of flange ?
 Outside edge of magnet ?

Please remember ! all gaskets are custom made and cannot be returned or credited...

GASKET PROFILES SCALE 1:1



FOSTER OEM PROFILES



COLDSTREAM OEM PROFILES

